

The most widely used motors from the world leaders

M2BA & HX+



TEFC, S1 Duty
 415 ± 10% V, 50Hz ± 5%.
 Combined Variation (absolute sum 10%)

Insulation Class F
 Ambient temp 50°C
 Temperature rise Class B (70°C)

2 Pole Ambient 50°C

Output kw	Motor Type	Product Code	Speed r/min	Efficiency, IEC 60034-2 1996		Power Factor cos 100%	Current		Torque			Moment of inertia J=1/4 Gd ² kgm ²	Weight foot mounted kg	Sound pressure level dB(A)
				FL	3/4FL		I _n (A)	I _s / I _n	T _n (Nm)	T _s / T _n	T _{max} / T _n			
0.37	M2BA71A2	3GBA 071 001-••B	2790	72.7	72.0	0.84	0.90	4.0	1.29	2.2	3.2	0.00039	11	58
0.55	M2BA71B2	3GBA 071 002-••B	2760	77.2	78.4	0.82	1.20	4.7	1.90	2.7	2.8	0.00051	11	58
0.75	M2BA80A2	3GBA 081 001-••B	2840	77.0	77.8	0.82	1.60	3.7	2.52	2.6	3.4	0.00080	14	60
1.1	M2BA80B2	3GBA 081 002-••B	2825	82.8	82.9	0.81	2.40	5.7	3.70	2.9	3.0	0.00101	16	60
1.5	M2BA90S2	3GBA 091 001-••B	2890	82.3	82.4	0.82	3.20	6.0	4.95	2.7	3.3	0.00199	22	63
2.2	M2BA90LB2	3GBA 091 003-••B	2875	85.6	86.5	0.89	4.10	6.5	7.30	2.7	3.0	0.00280	25	68
3.7	M2BA100LB2	3GBA 101 002-••B	2855	84.7	86.3	0.91	6.70	6.2	12.4	2.2	2.6	0.00528	36	68
5.5	M2BA132SA2	3GBA 131 001-••B	2890	86.8	87.4	0.80	11.0	6.5	18.2	2.6	3.6	0.01029	61	75
7.5	M2BA132SBB2	3GBA 131 004-••B	2880	90.0	90.4	0.87	13.5	6.5	24.8	2.2	3.3	0.01359	70	75
9.3	M2BA132SC2	3GBA 131 003-••B	2840	87.7	88.2	0.92	16.2	6.5	31.3	2.8	3.4	0.01951	80	75

4 Pole Ambient 50°C

Output kw	Motor Type	Product Code	Speed r/min	Efficiency, IEC 60034-2 1996		Power Factor cos 100%	Current		Torque			Moment of inertia J=1/4 Gd ² kgm ²	Weight foot mounted kg	Sound pressure level dB(A)
				FL	3/4FL		I _n (A)	I _s / I _n	T _n (Nm)	T _s / T _n	T _{max} / T _n			
0.25	M2BA71A4	3GBA 072 001-••B	1390	66.5	65.5	0.76	0.75	3.8	1.70	2.2	2.4	0.00074	10	45
0.37	M2BA71B4	3GBA 072 002-••B	1400	69.6	71.2	0.79	0.90	4.5	2.53	2.0	2.5	0.00088	11	45
0.55	M2BA80A4	3GBA 082 001-••B	1390	71.8	72.2	0.80	1.36	4.3	3.80	2.2	2.8	0.00144	15	50
0.75	M2BA80B4	3GBA 082 002-••B	1405	75.5	76.0	0.74	1.90	5.1	5.10	2.2	3.1	0.00198	16	50
1.1	M2BA90S4	3GBA 092 001-••B	1410	76.8	77.1	0.78	2.60	5.3	7.40	2.6	3.0	0.0033	22	50
1.5	M2BA90L4	3GBA 092 002-••B	1420	79.6	80.1	0.80	3.40	5.5	10.1	2.7	3.4	0.00444	25	50
2.2	M2BA100LA4	3GBA 102 001-••B	1430	82.8	83.3	0.83	4.60	5.6	14.7	2.2	2.7	0.00873	34	64
3.7	M2BA112M4	3GBA 112 001-••B	1425	85.0	86.2	0.83	7.50	5.9	24.8	2.6	3.0	0.0106	39	60
5.5	M2BA132S4	3GBA 132 001-••B	1455	88.3	88.4	0.78	11.1	5.5	36.1	2.1	2.5	0.02635	60	66
7.5	M2BA132M4	3GBA 132 002-••B	1450	88.4	88.9	0.80	14.8	6.0	49.4	2.1	2.7	0.03282	70	66

6 Pole Ambient 50°C

Output kw	Motor Type	Product Code	Speed r/min	Efficiency, IEC 60034-2 1996		Power Factor cos 100%	Current		Torque			Moment of inertia J=1/4 Gd ² kgm ²	Weight foot mounted kg	Sound pressure level dB(A)
				FL	3/4FL		I _n (A)	I _s / I _n	T _n (Nm)	T _s / T _n	T _{max} / T _n			
0.18	M2BA71A6	3GBA 073 001-••B	905	59.8	56.4	0.70	0.6	3.3	1.9	2.2	2.3	0.00089	10	42
0.25	M2BA71B6	3GBA 073 002-••B	885	63.5	61.5	0.71	0.8	3.4	2.7	2.2	2.6	0.0011	12	42
0.37	M2BA80A6	3GBA 083 001-••B	920	69.8	69.7	0.71	1.1	3.0	3.8	2.3	2.8	0.00187	15	47
0.55	M2BA80B6	3GBA 083 002-••B	925	72.4	74.0	0.70	1.5	3.8	5.7	2.1	2.7	0.00239	17	47
0.75	M2BA90L6	3GBA 093 002-••B	940	75.1	74.7	0.64	2.2	4.4	7.6	2.3	3.4	0.00444	25	44
1.1	M2BA90LB6	3GBA 093 003-••B	925	77.3	77.8	0.69	2.9	4.1	11.3	2.3	2.6	0.00491	25	44
1.5	M2BA100L6	3GBA 103 002-••B	955	81.5	81.3	0.68	3.8	4.4	15.0	2.2	2.7	0.00873	37	49
2.2	M2BA112M6	3GBA 113 001-••B	945	82.4	83.3	0.72	5.2	4.4	22.2	2.2	2.4	0.0114	40	54
3.7	M2BA132MA6	3GBA 133 002-••B	970	85.7	84.8	0.68	8.8	5.2	36.4	2.1	2.5	0.03336	69	57
5.5	M2BA132MC6	3GBA 133 004-••B	970	87.8	87.4	0.70	12.5	5.0	54.0	1.8	2.7	0.0487	86	57

8 Pole Ambient 50°C

Output kw	Motor Type	Product Code	Speed r/min	Efficiency, IEC 60034-2 1996		Power Factor cos 100%	Current		Torque			Moment of inertia J=1/4 Gd ² kgm ²	Weight foot mounted kg	Sound pressure level dB(A)
				FL	3/4FL		I _n (A)	I _s / I _n	T _n (Nm)	T _s / T _n	T _{max} / T _n			
0.09	M2BA71A8	3GBA 074 001-••B	700	43.8	35.5	0.53	0.55	2.3	1.25	2.1	2.5	0.00089	11	40
0.12	M2BA71B8	3GBA 074 002-••B	700	44.4	36.1	0.53	0.70	2.3	1.67	2.2	2.4	0.0011	12	40
0.18	M2BA80A8	3GBA 084 001-••B	705	57.8	52.4	0.57	0.77	3.0	2.45	2.4	2.6	0.00187	15	45
0.25	M2BA80B8	3GBA 084 002-••B	695	64.0	62.1	0.64	0.88	3.1	3.5	2.1	2.4	0.00239	17	45
0.37	M2BA90L8	3GBA 094 002-••B	705	64.8	62.4	0.56	1.40	2.9	5.0	1.6	2.3	0.00444	24	43
0.55	M2BA90LB8	3GBA 094 003-••B	690	67.0	64.4	0.59	2.0	2.6	7.6	1.5	2.0	0.00491	25	43
0.75	M2BA100LA8	3GBA 104 001-••B	710	71.3	68.5	0.60	2.5	3.9	10.0	2.4	2.7	0.0072	30	46
1.1	M2BA100LB8	3GBA 114 002-••B	705	73.5	73.1	0.63	3.25	3.6	15.1	2.1	2.7	0.00871	34	46
1.5	M2BA112MA8	3GBA 114 001-••B	685	74.6	76.0	0.71	3.9	3.5	20.9	1.9	2.2	0.0118	28	42
2.2	M2BA132S8	3GBA 134 001-••B	720	81.2	81.0	0.60	6.0	4.0	29.3	1.9	2.6	0.03336	70	56

I_n = Nominal or rated current

T_{max} = Maximum torque

I_s = Starting current

T_s = Starting torque

T_n = Nominal or rated torque in Nm

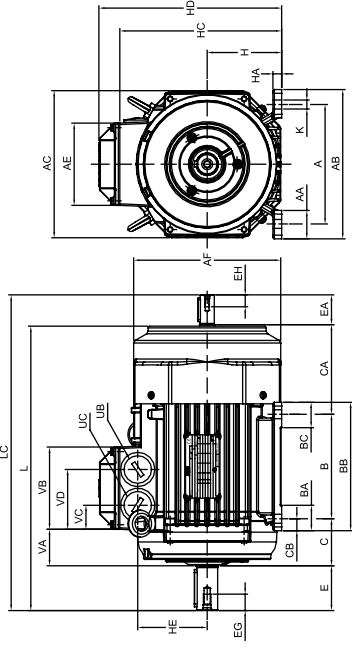
T_{cold} = Cold withstand time

T_{hot} = Hot withstand time

Note : All performance figures are subject to IS tolerances.

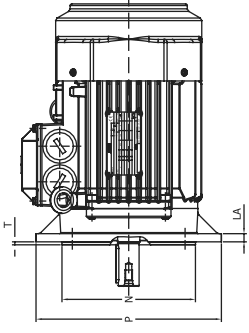
M2BA 71...132 (Foot Mounted)

Foot-mounted motor;
IM B3 (IM 1001), IM 1002

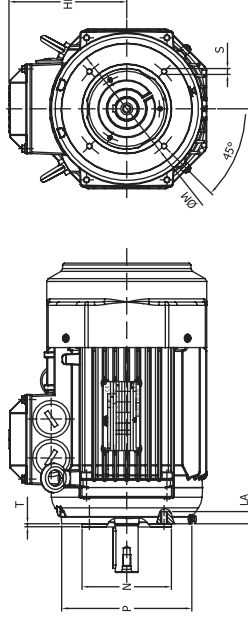


M2BA 71...132 (Flange Mounted)

Flange-mounted motor, large flange;
IM B5 (IM 3001), IM 3002

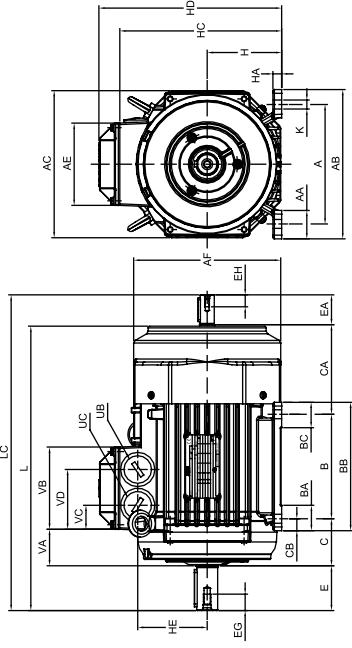


Flange-mounted motor, small flange;
IM B14 (IM 3601)



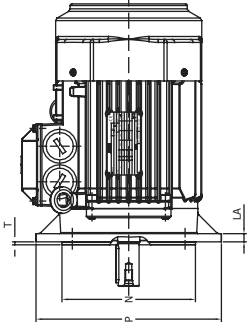
M2BA 71...132 (Foot Mounted)

Foot-mounted motor;
IM B3 (IM 1001), IM 1002

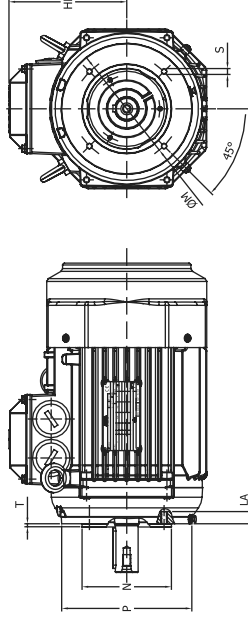


M2BA 71...132 (Flange Mounted)

Flange-mounted motor, large flange;
IM B5 (IM 3001), IM 3002

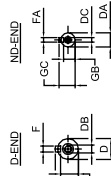


Flange-mounted motor, small flange;
IM B14 (IM 3601)



IM B3 (IM 1001), IM 1002

Motor Size	A	AA	AB	AC	AE	AF	B	BA	BB	BC	C	CA	CB	D-Tol.	DA	DB	DC	E	EA	EG	EH	VD
71	112	24	136	139	97	139	90	24	110	24	45	104	10	14-j6	11	M5	M4	30	23	12.5	10	
80	125	28	154	157	97	157	100	28	125	28	50	111	12.5	19-j6	14	M6	M5	40	30	16	12.5	
90S	140	30	170	177	110	177	100	30	150	55	56	156.5	12.5	24-j6	14	M8	M5	50	30	19	12.5	
90L	140	30	170	177	110	177	125	30	150	55	56	131.5	12.5	24-j6	14	M8	M5	50	30	19	12.5	
100	160	38	200	197	110	197	140	34	172	34	63	123	16	28-j6	19	M10	M6	60	40	22	16	
112	190	41	230	197	110	197	140	34	172	34	70	138	16	28-j6	19	M10	M6	60	40	22	16	
132S	216	47	262	261	160	261	140	40	212	76	89	228	16	38-k6	24	M12	M8	80	50	28	19	
132M	216	47	262	261	160	261	178	40	212	76	89	190	16	38-k6	24	M12	M8	80	50	28	19	



IM B5 (IM 3001), IM 3002

Motor Size	HB	LA	M	N	P	S	T
71	105	9	130	110	160	10	3.5
80	113	10	165	130	200	12	3.5
90	127	10	165	130	200	12	3.5
100	145	11	215	180	250	15	4.0
112	145	11	215	180	250	15	4.0
132	166	12.5	265	230	300	15	4.0

IM B14 (IM 3601), IM 3602

Motor Size	HB	LA	M	N	P	S	T
71	105	8	85	70	105	M6	2.5
80	113	8	100	80	120	M6	3.0
90	127	10	115	95	140	M8	3.0
100	145	10	130	110	160	M8	3.5
112	145	10	130	110	160	M8	3.5
132	166	12	165	130	200	M10	3.5

IM B3 (IM 1001), IM 1002

Motor Size	A	AA	AB	AC	AE	AF	B	BA	BB	BC	HE	K	L	LC	UB	UC	VA	VB	VC	VD
71	112	24	136	139	97	139	90	24	110	24	62	7	264	292	M16x1.5	M16x1.5	34	97	27.5	69.5
80	125	28	154	157	97	157	100	28	125	28	69	10	296	331	M25x1.5	M25x1.5	37	97	27.5	69.5
90S	140	30	170	177	110	177	100	30	150	55	79	10	357	392.5	M25x1.5	M25x1.5	46	110	35	77
90L	140	30	170	177	110	177	125	30	150	55	94	12	381	426	M32x1.5	M32x1.5	49	110	32	80
100	160	38	200	197	110	197	140	34	172	34	94	12	403	448	M32x1.5	M32x1.5	49	110	32	80
112	190	41	230	197	110	197	140	34	172	34	116	12	533	587	M32x1.5	M32x1.5	71	160	77	125
132S	216	47	262	261	160	261	140	40	212	76	116	12	533	587	M32x1.5	M32x1.5	71	160	77	125
132M	216	47	262	261	160	261	178	40	212	76	116	12	533	587	M32x1.5	M32x1.5	71	160	77	125

Motor Size	F	FA	G	GA	GB	GC	H	HA	HC	HD	HE	K	L	LC	UB	UC	VA	VB	VC	VD
71	5	4	11	16	8.5	12.5	71	9	151	176	62	7	264	292	M16x1.5	M16x1.5	34	97	27.5	69.5
80	6	5	15.5	21.5	11	16	80	10	168	193	69	10	296	331	M25x1.5	M25x1.5	37	97	27.5	69.5
90	8	5	20	27	11	16	90	11	189	217	79	10	357	392.5	M25x1.5	M25x1.5	46	110	35	77
100	8	6	24	31	15.5	21.5	100	12	217	245	94	12	381	426	M32x1.5	M32x1.5	49	110	32	80
112	8	6	24	31	15.5	21.5	112	12	229	257	94	12	403	448	M32x1.5	M32x1.5	49	110	32	80
132	10	8	33	41	20	27	132	14	272	298	116	12	533	587	M32x1.5	M32x1.5	71	160	77	125

Tolerances:
A,B +0-0.8 H +0-0.5 D,DA ISO j6
N ISO j6 F,FA ISO h9 C,CA +0-0.8

All dimension are in mm.

TEFC, S1 Duty
 415 ± 10% V, 50Hz ± 5%.
 Combined Variation (absolute sum 10%)

Insulation Class F
 Ambient temp 50°C
 Temperature rise Class B (70°C)

2 Pole Ambient 50°C

Output kw	hp	Frame Size	Rated Speed (rpm)	I _n (A)	Efficiency %			Power Factor			I _s /I _n	Torque		T _n N _m	T _{hot} (Sec)	T _{cold} (Sec)	Weight Kg	GD ² Kgm ²
					FL	3/4FL	1/2FL	FL	3/4FL	1/2FL		T _s /T _n	T _{max} /T _n					
11	15	HX+160MLB2	2900	20.0	88.0	88.0	87.0	0.87	0.85	0.82	6.0	2.2	2.8	36.2	12	28	120	0.128
15	20	HX+160MLD2	2900	26.0	89.0	89.0	88.0	0.87	0.85	0.82	6.0	2.2	3.0	49.4	12	28	130	0.152
18.5	25	HX+160MLE2	2900	32.0	91.0	91.0	90.0	0.90	0.87	0.84	6.0	2.5	2.9	60.9	12	28	145	1.82
22	30	HX+180MLB2	2925	37.5	92.1	92.1	91.1	0.89	0.87	0.81	6.0	2.3	3.0	72	20	46	170	0.25
30	40	HX+200MLB2	2940	51.0	92.6	92.6	91.0	0.88	0.86	0.81	6.0	2.3	3.0	97	20	46	240	0.72
37	50	HX+200MLC2	2940	62.0	93.1	93.1	92.1	0.89	0.87	0.81	6.0	2.4	2.7	120	20	46	260	0.78
45	60	HX+225SMC2	2955	75.0	93.5	93.5	92.5	0.89	0.87	0.81	6.0	2.6	3.0	145	20	46	330	1.28
55	75	HX+250MB2	2960	91.5	94.0	94.0	93.0	0.89	0.87	0.81	6.0	2.4	3.0	177	20	46	440	1.92
75	100	HX+280SMB2	2965	123.0	94.2	94.2	93.2	0.90	0.88	0.82	6.0	2.0	3.0	242	20	46	610	3.28
90	125	HX+280SMC2	2965	147.0	94.5	94.5	93.5	0.90	0.89	0.83	6.0	2.2	3.0	290	20	46	640	3.42

4 Pole Ambient 50°C

Output kw	hp	Frame Size	Rated Speed (rpm)	I _n (A)	Efficiency %			Power Factor			I _s /I _n	Torque		T _n N _m	T _{hot} (Sec)	T _{cold} (Sec)	Weight Kg	GD ² Kgm ²
					FL	3/4FL	1/2FL	FL	3/4FL	1/2FL		T _s /T _n	T _{max} /T _n					
9.3	12.5	HX+160MLB4	1455	18.8	88.0	88.0	86.0	0.81	0.74	0.63	6.0	2.2	2.8	61	8	18	125	0.028
11	15	HX+160MLD4	1455	21.0	89.0	89.0	87.0	0.82	0.76	0.66	6.0	2.1	2.8	72.2	12	28	145	0.252
15	20	HX+160MLE4	1450	28.0	89.0	89.0	87.0	0.82	0.76	0.66	6.0	2.1	2.8	98.8	14	30	150	0.272
18.5	25	HX+180MLB4	1455	34.5	90.6	90.6	89.6	0.82	0.76	0.66	6.0	2.4	2.7	121	15	34	175	0.48
22	30	HX+180MLC4	1460	40.5	91.5	91.5	90.5	0.83	0.78	0.70	6.0	2.6	2.7	144	15	34	185	0.54
30	40	HX+200MLC4	1470	54.5	92.6	92.6	91.6	0.83	0.78	0.70	6.0	2.6	2.7	195	15	34	245	1.20
37	50	HX+225SMB4	1470	67.0	92.8	92.8	91.8	0.83	0.78	0.70	6.0	2.2	2.7	240	20	46	310	1.40
45	60	HX+225SMC4	1470	81.0	93.3	93.3	92.3	0.83	0.78	0.70	6.0	2.2	2.7	292	20	46	340	1.52
55	75	HX+250MB4	1475	98.5	93.8	93.8	92.8	0.83	0.78	0.70	6.0	2.4	2.7	356	20	46	435	2.80
75	100	HX+280SMB4	1475	131.0	93.8	93.8	92.8	0.85	0.81	0.72	6.0	2.3	2.7	486	20	46	610	4.44
90	125	HX+280SMC4	1475	157.0	94.0	94.0	93.0	0.85	0.82	0.73	6.0	2.4	2.7	583	20	46	680	5.32

6 Pole Ambient 50°C

Output kw	hp	Frame Size	Rated Speed (rpm)	I _n (A)	Efficiency %			Power Factor			I _s /I _n	Torque		T _n N _m	T _{hot} (Sec)	T _{cold} (Sec)	Weight Kg	GD ² Kgm ²
					FL	3/4FL	1/2FL	FL	3/4FL	1/2FL		T _s /T _n	T _{max} /T _n					
7.5	10	HX+160MLC6	960	15.5	87.5	87.5	86.5	0.77	0.72	0.60	5.5	1.9	2.5	74.6	8	18	145	0.326
9.3	12.5	HX+160MLD6	965	19.0	88.0	88.0	86.0	0.77	0.72	0.60	6.0	2.0	2.5	92	8	18	155	0.372
11	15	HX+160MLE6	965	23.0	88.0	88.0	86.0	0.77	0.72	0.60	6.0	2.0	2.5	109	9	20	170	0.446
15	20	HX+180MLC6	965	30.0	89.0	89.0	87.0	0.79	0.72	0.59	6.0	2.4	3.0	148	15	34	185	0.68
18.5	25	HX+200MLB6	985	36.0	90.5	90.5	88.5	0.79	0.72	0.59	6.0	2.3	3.0	179	15	34	230	1.60
22	30	HX+200MLC6	985	42.0	91.7	91.7	89.7	0.79	0.72	0.59	6.0	2.4	3.0	213	15	34	300	1.80
30	40	HX+225SMC6	985	55.5	92.1	92.1	90.1	0.82	0.76	0.66	6.0	2.4	2.8	291	20	46	320	2.98
37	50	HX+250MB6	985	66.0	92.8	92.8	90.8	0.84	0.80	0.71	6.0	2.4	2.8	359	20	46	420	4.80
45	60	HX+280SMB6	985	79.5	93.6	93.6	91.6	0.84	0.80	0.71	6.0	2.3	2.6	436	20	46	590	7.20
55	75	HX+280SMC6	985	97.0	93.8	93.8	91.8	0.84	0.80	0.71	6.0	2.1	2.7	533	20	46	600	8.10

8 Pole Ambient 50°C

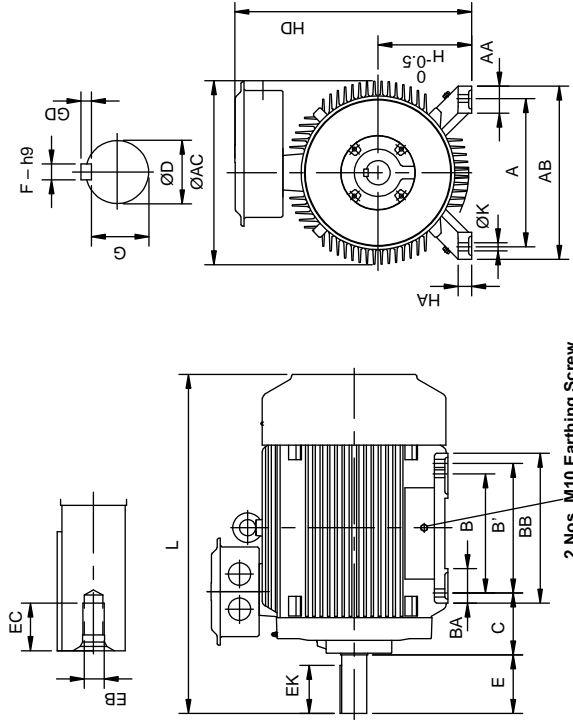
Output kw	hp	Frame Size	Rated Speed (rpm)	I _n (A)	Efficiency %			Power Factor			I _s /I _n	Torque		T _n N _m	T _{hot} (Sec)	T _{cold} (Sec)	Weight Kg	GD ² Kgm ²
					FL	3/4FL	1/2FL	FL	3/4FL	1/2FL		T _s /T _n	T _{max} /T _n					
3.7	5.0	HX+160MLB8	715	8.0	82.5	82.5	79.5	0.77	0.70	0.61	5.1	1.8	2.4	49.4	9	20	125	0.288
5.5	7.5	HX+160MLD8	715	12.0	84.5	83.5	81.5	0.79	0.72	0.59	5.1	1.8	2.5	73.5	13	29	155	0.372
7.5	10.0	HX+160MLE8	715	16.0	85.0	84.0	82.0	0.79	0.72	0.59	5.1	1.8	2.5	98.8	15	30	170	0.446
9.3	12.5	HX+180MLA8	725	20.0	87.0	87.0	85.0	0.75	0.67	0.53	6.0	1.8	2.6	123	13	29	160	0.64
11	15.0	HX+180MLB8	725	23.5	87.0	87.0	85.0	0.75	0.67	0.53	6.0	2.0	2.5	145	13	29	170	0.72
15	20.0	HX+200MLC8	735	31.5	88.0	88.0	86.0	0.75	0.67	0.53	6.0	2.2	2.5	195	15	34	240	1.98
18.5	25.0	HX+225SMB8	735	38.5	90.0	90.0	89.0	0.74	0.66	0.52	6.0	2.2	2.3	240	18	40	320	3.32
22	30.0	HX+225SMC8	735	45.5	91.0	91.0	89.0	0.74	0.66	0.52	6.0	2.1	2.3	286	18	40	340	3.50
30	40.0	HX+250MB8	740	60.0	91.5	91.5	89.5	0.76	0.68	0.54	6.0	2.1	2.3	387	18	40	520	4.54
37	50.0	HX+280SMB8	740	73.5	92.0	92.0	90.0	0.76	0.73	0.61	6.0	2.1	2.3	478	18	40	590	7.64
45	60.0	HX+280SMC8	740	89.0	92.5	92.5	90.5	0.76	0.73	0.61	6.0	2.1	2.3	581	18	40	600	7.75

I_n = Nominal or rated current I_s = Starting current
 T_n = Nominal or rated torque in Nm T_s = Starting torque
 T_{max} = Maximum torque T_{hot} = Hot withstand time
 T_{cold} = Cold withstand time

Note : All performance figures are subject to IS tolerances.

HX+ 160...280 (Foot Mounted)

Mounting Designation B3, B6, B7, B8, V5, V6



Type	A	AA	AB	AC	B	B'	BA	BB	C	D -Tol.	E	EB	EC
HX+160ML	254	60	310	305	210	254	65	310	108	42-k6	110	M16	36
HX+180ML	279	58	324	348	241	279	58	324	121	48-k6			
HX+200ML	318	70	378	381	267	305	81	354	133	55-m6			
HX+225SM 2P 4-8P	356	65	416	442	286	311	83	360	149	60-m6	140	M20	42
HX+250M 2P 4-8P	406	80	473	495	349	-	93	406	168	65-m6			
HX+280SM 2P 4-8P	457	85	530	556	368	419	105	486	190	75-m6			

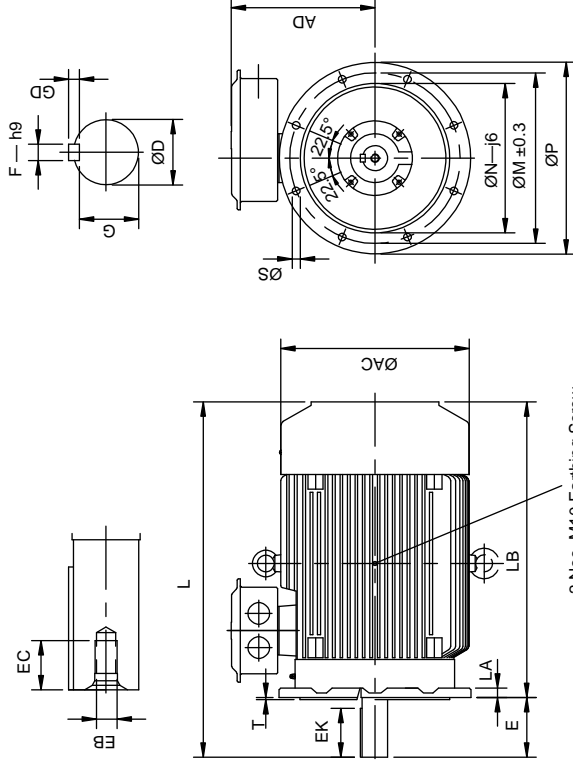
Type	EK	F	G	GD	H	HA	HD	K	L	Bearing		
										DS	NDS	
HX+160ML	90	12	37	8	160	22	407	15	671	6309ZZ C3	6308ZZ C3	
HX+180ML	90	14	42.5	9	180	26	446	15	706	6310ZZ C3	6309ZZ C3	
HX+200ML	90	16	49	10	200	30	484	19	731	6312ZZ C3	6311ZZ C3	
HX+225SM 2P 4-8P	115	16	49	10	225	32	562	19	833	6313 C3	6312 C3	
HX+250M 2P 4-8P	115	18	53	11	250	40	612	24	910	6315 C3	6313 C3	
HX+280SM 2P 4-8P	115	20	67.5	12	280	728	728	24	1040	6316 C3	6315 C3	

* For HX+ 200MLC2; L= 770mm

* For 160-250 frame: sheet metal terminal box, 280 frame: cast iron terminal box

HXF+ 160...280 (Flange Mounted)

Mounting Designation B5, V1



Type	AC	AD	D -Tol.	E	EB	EC	EK	F	G	GD	L
HXF+160ML	305	247	42-k6	110	M16	36	90	12	37	8	671
HXF+180ML	348	266	48-k6		M20	42	115	14	42.5	9	706
HXF+200ML	381	284	55-m6		60-m6	42	115	16	49	10	731
HXF+225SM 2P 4-8P	442	337	60-m6	140	M20	42	115	18	53	11	833
HXF+250M 2P 4-8P	495	362	65-m6	140	M20	42	115	20	58	11	910
HXF+280SM 2P 4-8P	556	448	75-m6	140	M20	42	115	20	67.5	12	1040

Type	LA	LB	M	N-Tol.	P	S	T	Bearing		
								DS	NDS	
HXF+160ML	16	561	300	250-j6	350			6309ZZ C3	6308ZZ C3	
HXF+180ML	20	596	300	250-j6	350			6310ZZ C3	6309ZZ C3	
HXF+200ML	20	621	350	300-j6	400			6312ZZ C3	6311ZZ C3	
HXF+225SM 2P 4-8P	22	723	400	350-j6	450	19	5	6313 C3	6312 C3	
HXF+250M 2P 4-8P	22	693	400	350-j6	450	19	5	6315 C3	6313 C3	
HXF+280SM 2P 4-8P	22	770	500	450-j6	550	19	5	6316 C3	6315 C3	

* For 160-200 frame flange mounted motors, 4 nos mounting holes are provided

* For 225-280 frame flange mounted motors, 8 nos mounting holes are provided